

GE3 Flush Case Inside Release Handle

Features

- This version of the 'flush case' suit internal doors where no safety flap is required
- Semi-plant-on design for easy installation and adjustment, with 'snap-in' connection, cushioned action
- Lift flap to withdraw latch connection point 'X'
- Handle is bolted to inside door skin through elongated hole / slots in brackets at each end
- Trim panel is fitted over handle, 2-piece bezels will conceal gaps

Material

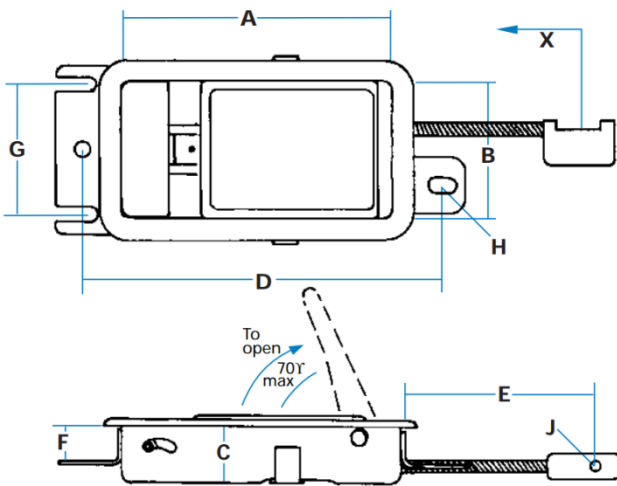
- Case: Mild steel, black powder coated
- Flap: Black ABS moulded or zinc die cast chrome finish

Notes

- Trim bezel **G14422** (2 required) sold separately
- Connector rod **G00078** (3.5mm x 1m) also available separately

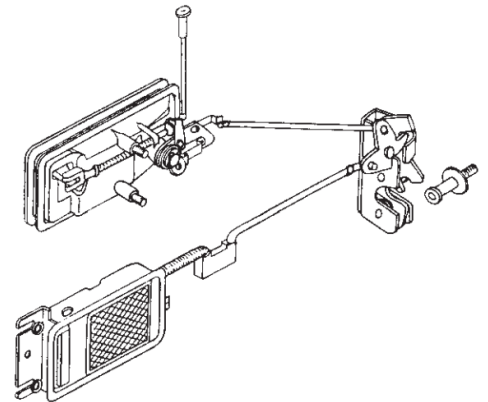


GE3-G29902 (RH version, illustrated with die cast chrome flap and trim bezels **G14422** sold separately)



Installation of 'flush case'

Illustration shows right-side handle with simple connection to latch (See 'Flap handles').



'Handing'

'Flush cases' are handed by position of connector block and small bracket.

Part No.	Case	Flap	Type	A	B	C	D	E	F	G	H	J	X
GE3-G29450	Black	Black	RH	112	58	20	145	75	15	50	6 x 12	3.5	15
GE3-G29451			LH										
GE3-G29902		Chrome	RH										
GE3-G29903			LH										